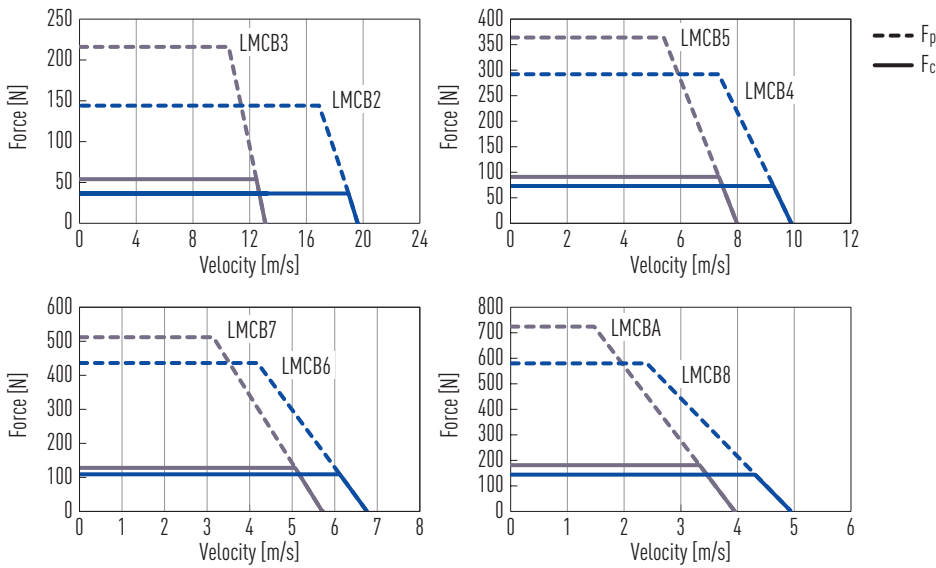


### Specifications

#### Force-velocity curves (DC bus voltage: 330 VDC)

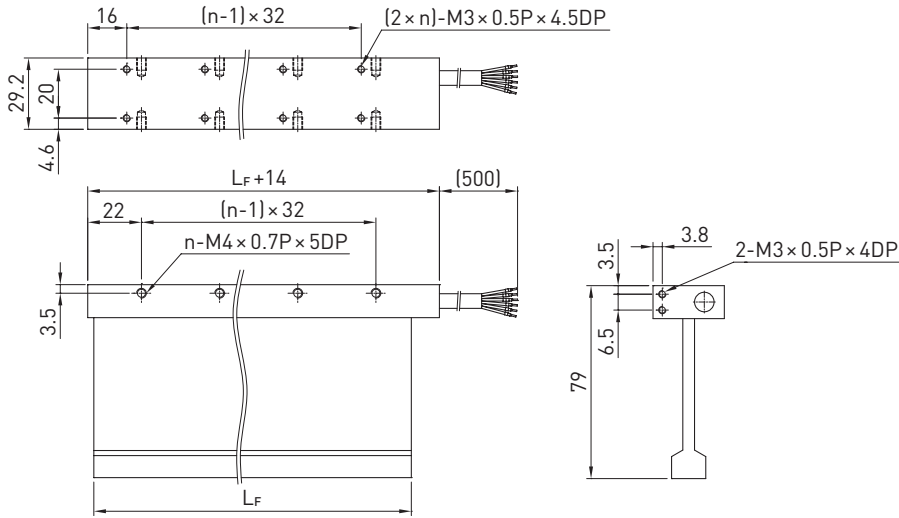


Technical data for LMCB										
	Symbol	Unit	LMCB2	LMCB3	LMCB4	LMCB5	LMCB6	LMCB7	LMCB8	LMCBA
<b>Forces and electrical parameters</b>										
Continuous force at $T_{max}$	$F_c$	N	36	54	73	91	109	128	145	181
Continuous current at $T_{max}$	$I_c$	$A_{eff}$	2.0	2.0	2.0	2.0	2.0	2.0	2.0	2.0
Peak force (for 1 s)	$F_p$	N	144	216	292	364	436	512	580	724
Peak current (for 1 s)	$I_p$	$A_{eff}$	8.0	8.0	8.0	8.0	8.0	8.0	8.0	8.0
Force constant	$K_f$	$N/A_{eff}$	18.1	27.2	36.3	45.4	54.5	63.5	72.5	90.6
Electrical time constant	$K_e$	ms	0.4	0.4	0.4	0.4	0.4	0.3	0.3	0.3
Resistance <sup>1)</sup>	$R_{25}$	$\Omega$	3.6	5.4	7.1	9.0	10.7	12.6	14.6	17.9
Inductance <sup>1)</sup>	$L$	mH	1.4	1.9	2.6	3.2	3.8	4.4	5.0	6.2
Back EMF constant	$K_u$	$V_{eff}/(m/s)$	10.1	15.2	20.0	24.8	29.3	34.7	40.0	50.0
Motor constant	$K_m$	$N/\sqrt{W}$	7.7	9.5	11.2	12.4	13.6	14.7	15.5	17.5
Thermal resistance	$R_{th}$	$^{\circ}C/W$	2.77	1.85	1.41	1.11	0.93	0.79	0.68	0.56
Thermal switch			3 PTC SNM 100 in series							
Max. DC bus voltage		V	330							
<b>Mechanical parameters</b>										
Max. bending radius of motor cable	$R_{bend}$	mm	37.5							
Pole pair pitch	$2\tau$	mm	32							
Max. winding temperature	$T_{max}$	$^{\circ}C$	100							
Mounting holes (forcer)	$n$		2	3	4	5	6	7	8	10
Weight of forcer	$M_F$	kg	0.20	0.29	0.38	0.48	0.58	0.68	0.72	0.88
Length of forcer	$L_F$	mm	66	98	130	162	194	226	258	322
Unit mass of stator	$M_S$	kg/m	12							
Length of stator/Dimension N	$L_S$	mm	128 mm/N = 2; 320 mm/N = 5							

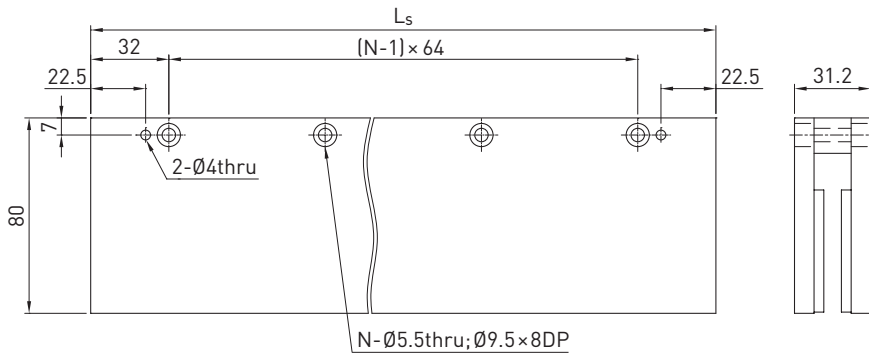
All the specifications in the table (except dimensions) are in  $\pm 10\%$  of tolerance at 25  $^{\circ}C$  ambient temperature

<sup>1)</sup> Line to line

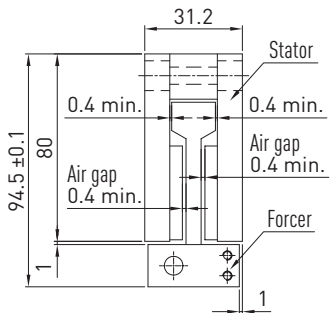
### Dimensions of forcer



### Dimensions of stator



### Mounting tolerances



LMCB motor cable assignment		
Motor cable	Signal	Diameter [mm]
Brown	U	7.5
White	V	
Grey	W	
Black	GND	
Yellow	T+	
Green	T-	